



ACE509

Low noise, fast response 500mA LDO regulator

Description

ACE509 series is a group of positive voltage output, low power consumption, low dropout voltage regulator.

ACE509 can provide output value in the range of 1.2V~4.5V every 0.1V step. It also can be customized on command.

ACE509 includes high accuracy voltage reference, error amplifier, current limit circuit and output driver module with discharge capability.

ACE509 has excellent load and line transient response and good temperature characteristics, which can assure the stability of chip and power system. And it uses trimming technique to guarantee output voltage accuracy within $\pm 2\%$.

Features

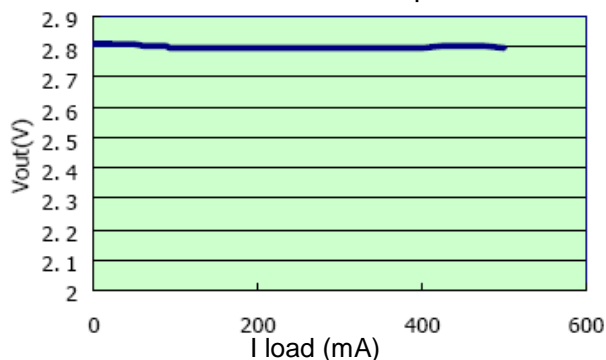
- Low Power Consumption: 75uA (Typ.)
- Low output noise (47uVRMS)
- Standby Mode: 0.1uA
- Low dropout Voltage: 0.46V@500mA (Typ.)
- High Ripple Rejection: 66dB@100Hz (Typ.)
- Low Temperature Coefficient: $\pm 100\text{ppm}/^\circ\text{C}$
- Excellent Line regulation: 0.05%/V
- Build-in chip enable and discharge circuit
- Output Voltage Range: 1.2V~4.5V (customized on command every 0.1V step)
- Highly Accurate: $\pm 2\%$ ($\pm 1\%$ customized)
- Output Current Limit

Application

- Power source for cellular phones and various kind of PCSs
- Battery Powered equipment
- Power Management of MP3, PDA, DSC, Mouse, PS2 Games
- Reference Voltage Source
- Regulation after Switching Power

Typical Performance Characteristic:

ACE509-2.8V Output





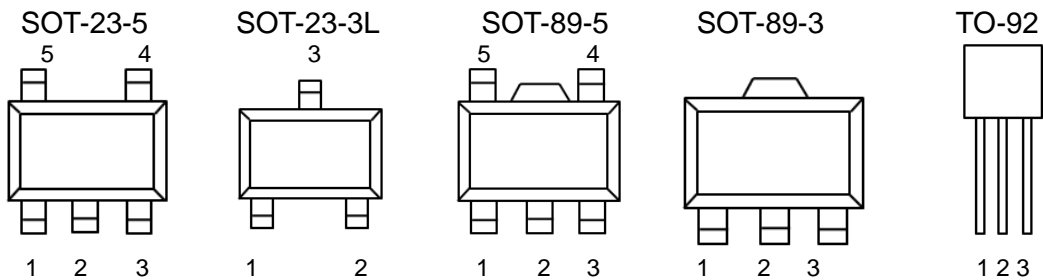
ACE509

Low noise, fast response 500mA LDO regulator

Absolute Maximum Ratings

Parameter	Symbol	Max	Unit
Input Voltage		12	V
Output Current		500	mA
Power Dissipation			mW
SOT-23-5		250	
SOT-23-3L		250	
SOT-89-3		500	
SOT-89-5		50mW for normal application 800mW with 10mm*20mm heat dissipation coil	
TO-92		500	
Junction temperature	T _J	125	°C
Storage temperature	T _s	- 45 to 150	°C

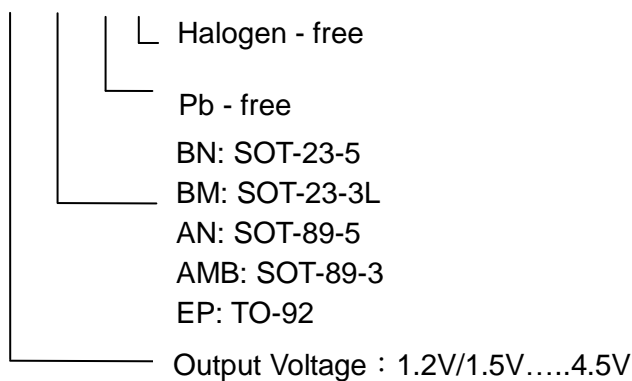
Packaging Type



SOT-23-5	SOT-23-3L	SOT-89-5	SOT-89-3	TO-92	Description	Function
5	2	5	3	3	V _{OUT}	Output pin
1	3	4	2	1	V _{DD}	Input Pin
2	1	2	1	2	V _{SS}	Ground Pin
3		3			CE	Chip Enable Pin
4		1			NC	No Connection

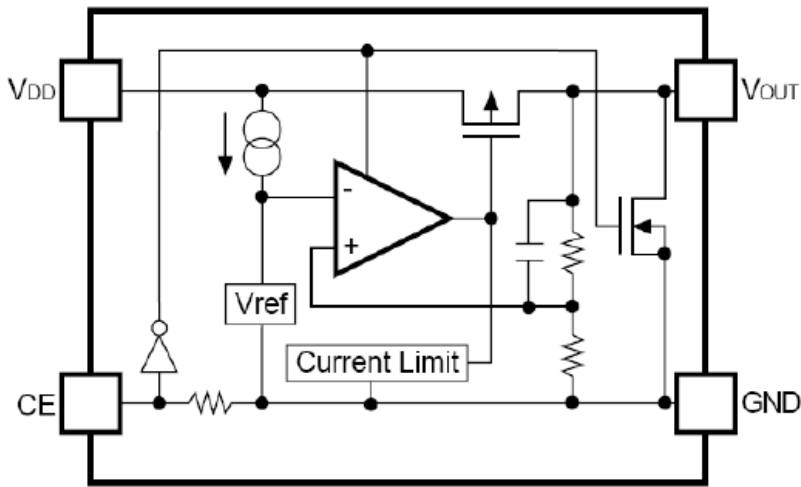
Ordering information

ACE509 XX XX + H





Block Diagram



Recommended Work Conditions

Item	Min	Max	Unit
Input Voltage Range		10	V
Ambient Temperature	-40	85	°C

Electrical Characteristics

(Test Conditions: $C_{in}=1\mu F$, $C_{out}=3.4\mu F$, $T_A=25^\circ C$, unless otherwise specified.)

ACE509, for arbitrary output voltage

Symbol	Parameter	Conditions	Min	Typ	Max	Units	
V_{in}	Input Voltage				10	V	
V_{out}	Output Voltage	$V_{out} > 1.5V$	$V_{in} = \text{Set } V_{out} + 1V$ $1mA \leq I_{out} \leq 30mA$	$V_{out} \times 0.98$	V_{out}	$V_{out} \times 1.02$	V
		$V_{out} \leq 1.5V$		-0.03	V_{out}	$V_{out} + 0.03$	
$I_{out} (\text{Max.})$	Maximum Output Current	$V_{in} - V_{out} = 1V$	500			mA	
V_{drop}^1	Dropout Voltage, $V_{out} \geq 2.8V$	$I_{out} = 100mA$		88	120	mV	
		$I_{out} = 300mA$		270	350	mV	
		$I_{out} = 500mA$		460	600	mV	
$\Delta V_{out} / \Delta V_{in} \cdot V_{out}$	Line Regulation	$I_{out} = 40mA$ $2.8V \leq V_{in} \leq 8V$		0.05	0.2	%/V	
ΔV_{out}	Load Regulation	$V_{in} = \text{Set } V_{out} + 1V$ $1mA \leq I_{out} \leq 500mA$		20	40	mV	
I_{ss}	Supply Current	$V_{in} = \text{Set } V_{out} + 1V$		75	90	μA	
$I_{standby}$	Supply Current ($I_{standby}$)	$V_{in} = \text{Set } V_{out} + 1V$ $V_{ce} = GND$		0.1	1.0	μA	
$\Delta V_{out} / \Delta T \cdot V_{out}$	Output Voltage	$I_{out} = 30mA$		± 100		ppm/°C	



ACE509

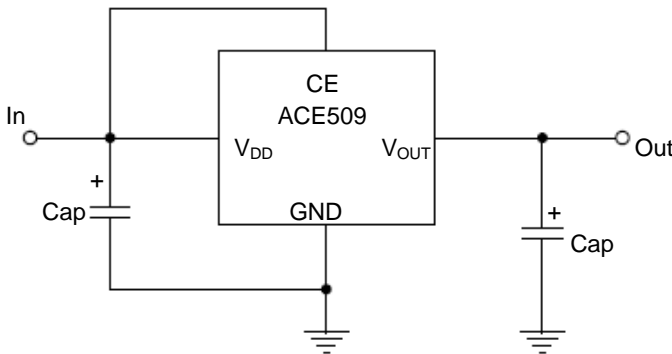
Low noise, fast response 500mA LDO regulator

	Temperature Coefficiency					
PSRR	Ripple Rejection	F=100Hz, Ripple=0.5Vp-p Vin=Set Vout+1V		65		dB
Ilim	Short Current Limit	Vout=0V		200		mA
Rpd	CE Pull down Resistance		2.0	5.0	10.0	MΩ
Vceh	CE Input Voltage "H"		1.5		Vin	V
Vcel	CE Input Voltage "L"		0		0.25	V

$V_{drop} = V_{in1} - (V_{out2} * 0.98)$ V_{out2} is the output voltage when $V_{in} = V_{out1} + 1.0V$ and $I_{out} = 300mA$ or $I_{out} = 500mA$.

V_{in1} is the input voltage at which the output voltage becomes 98% of V_{out1} after gradually decreasing the input voltage.

Typical Application Circuit



Note : Input capacitor ($C_{in} = 1\mu F$) and Output capacitor ($C_{out} = 1\mu F / 2.2\mu F$) are recommended in all application circuit.

Explanation :

ACE509 series is a group of positive voltage output, low noise, low power consumption, low dropout voltage regulator.

ACE509 can provide output value in the range of 1.2V~4.5V every 0.1V step. It also can be customized on command.

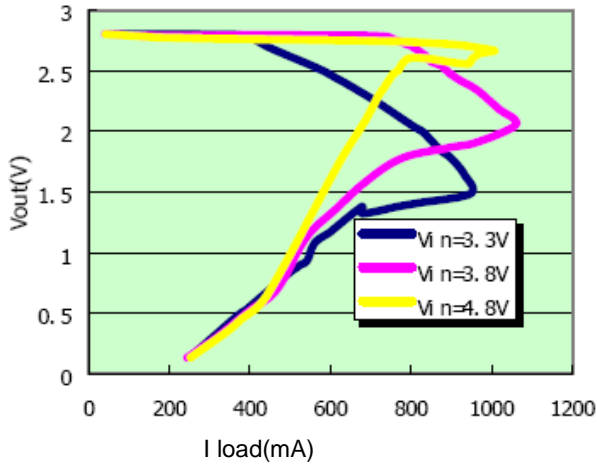
ACE509 includes high accuracy voltage reference, error amplifier, current limit circuit and output driver module.

ACE509 has excellent load and line transient response and good temperature characteristics, which can assure the stability of chip and power system. And it uses trimming technique to guarantee output voltage accuracy within $\pm 2\%$.

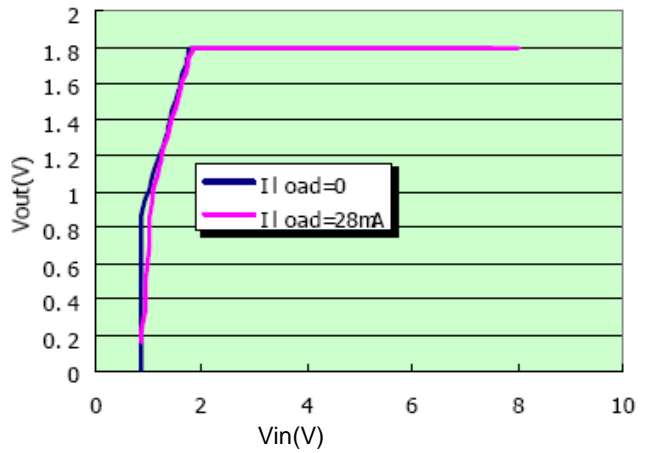


Typical Performance Characteristics

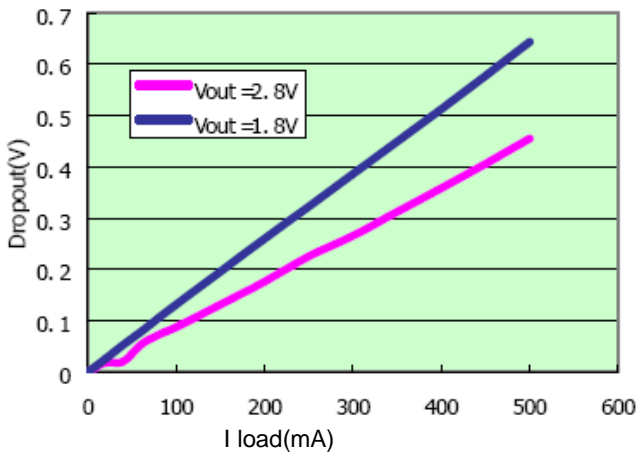
1. Output Voltage vs. Output Current
(with output short protection)



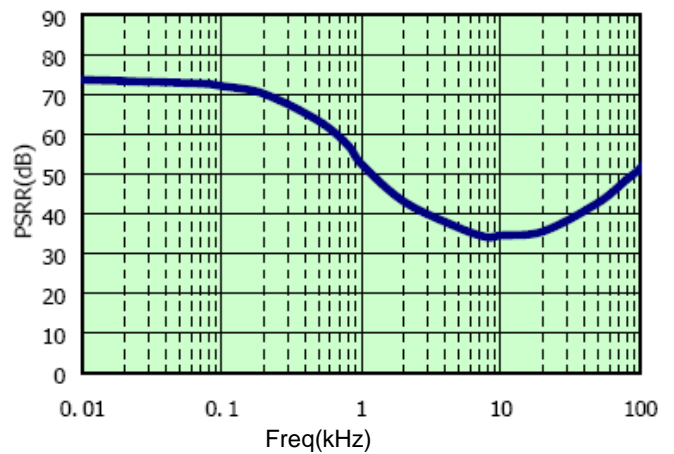
2. Output Voltage vs. Input Voltage



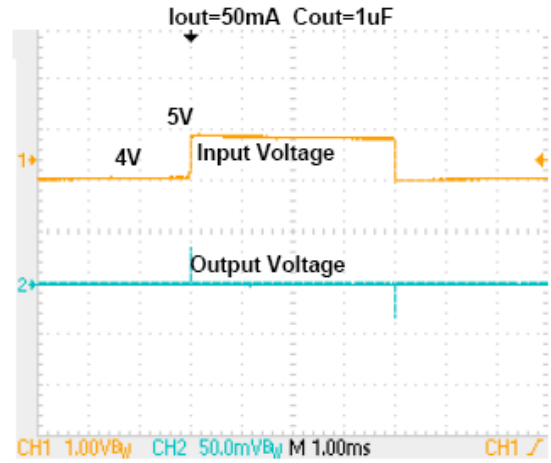
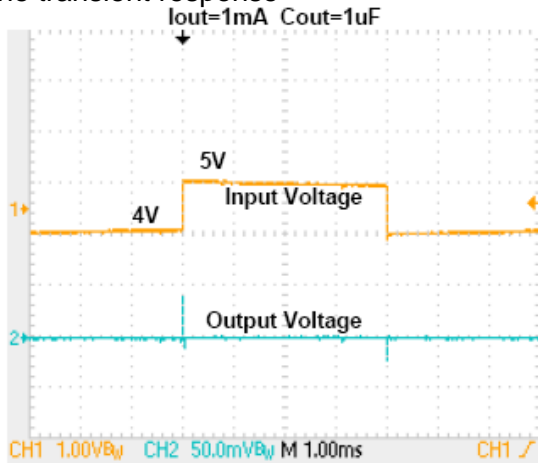
3. Dropout Voltage vs. Output Current



4. Ripple rejection vs. Frequency



5. Line transient response

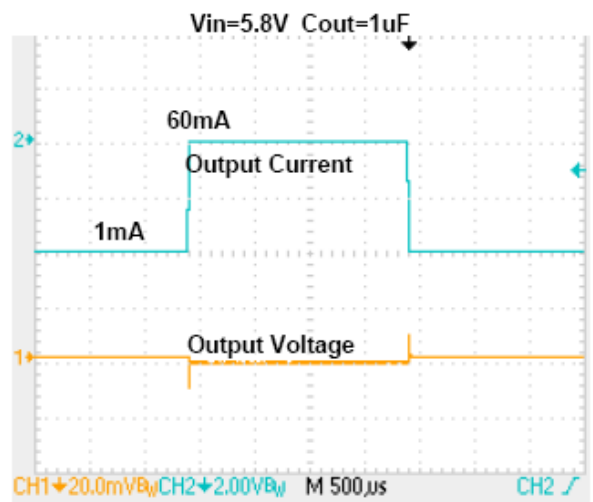
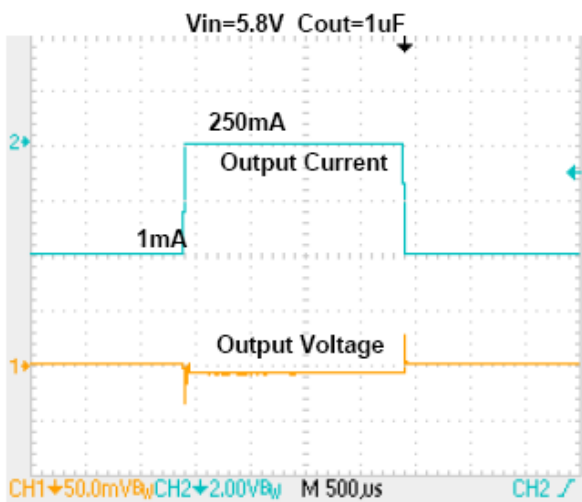
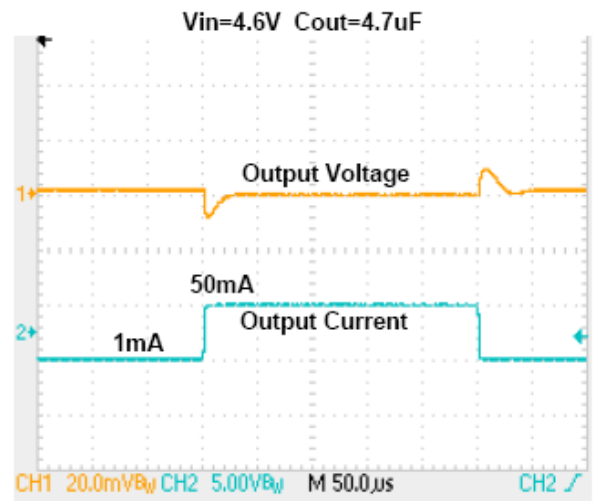
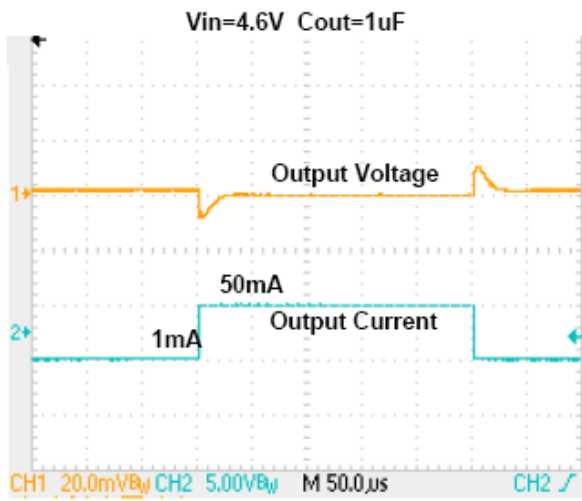




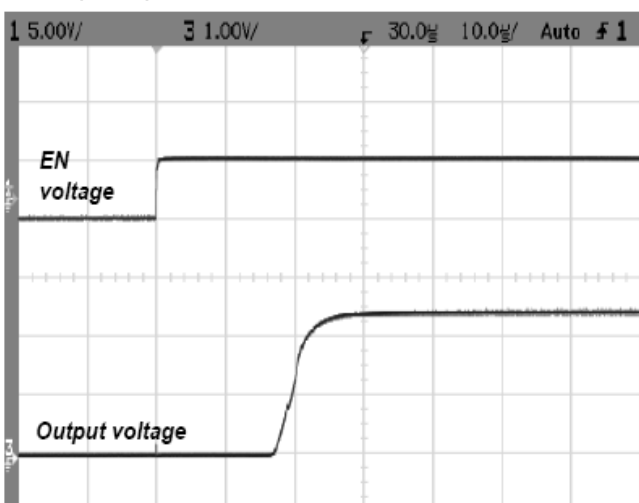
ACE509

Low noise, fast response 500mA LDO regulator

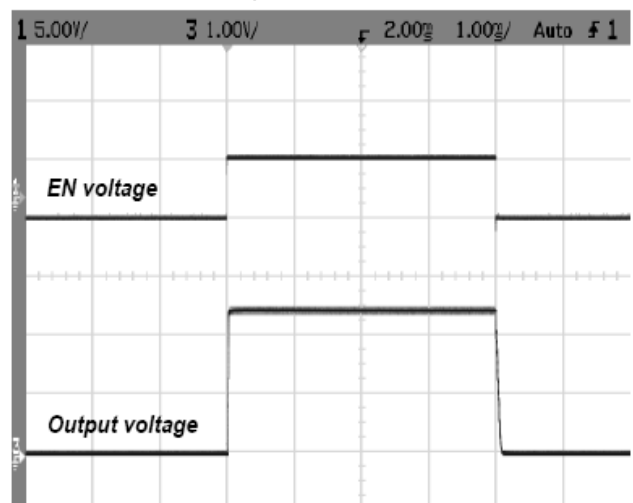
6. Load transient response



7.Startup response



8.Shutdown response



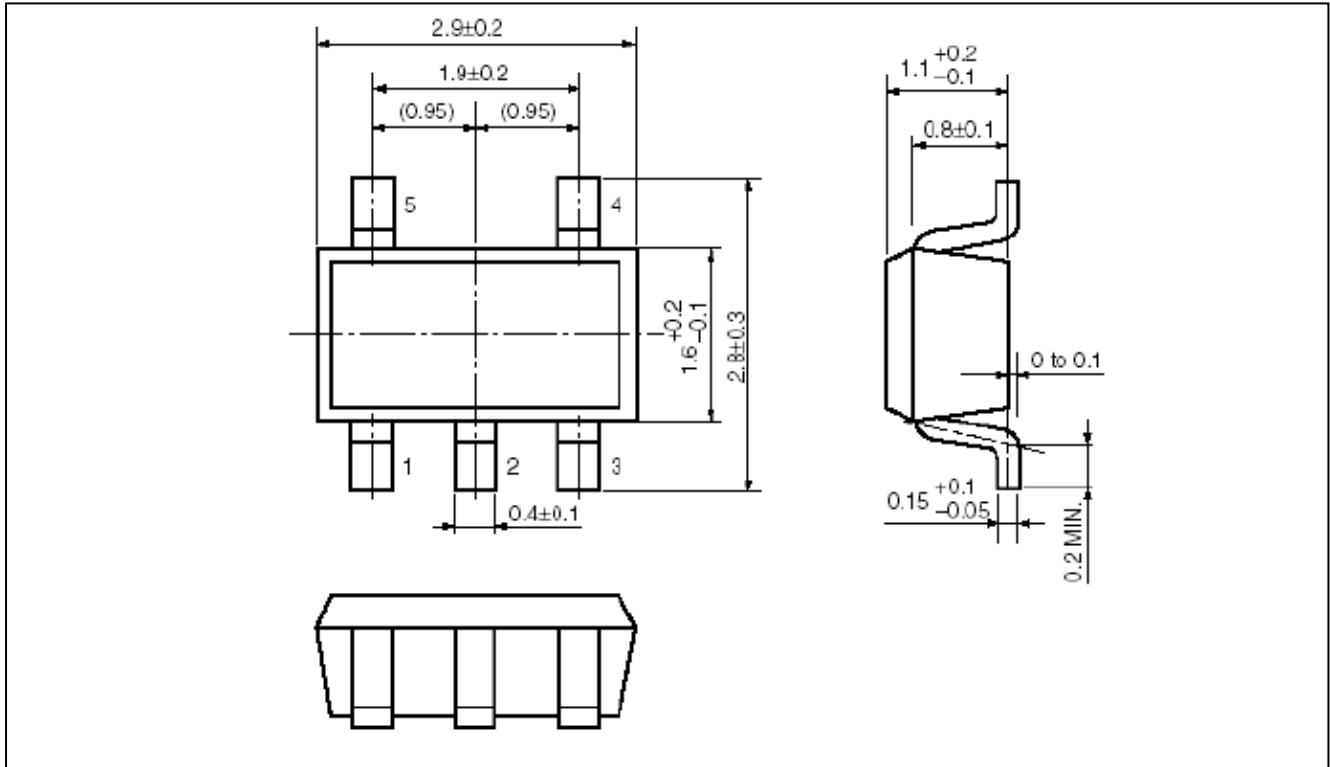


ACE509

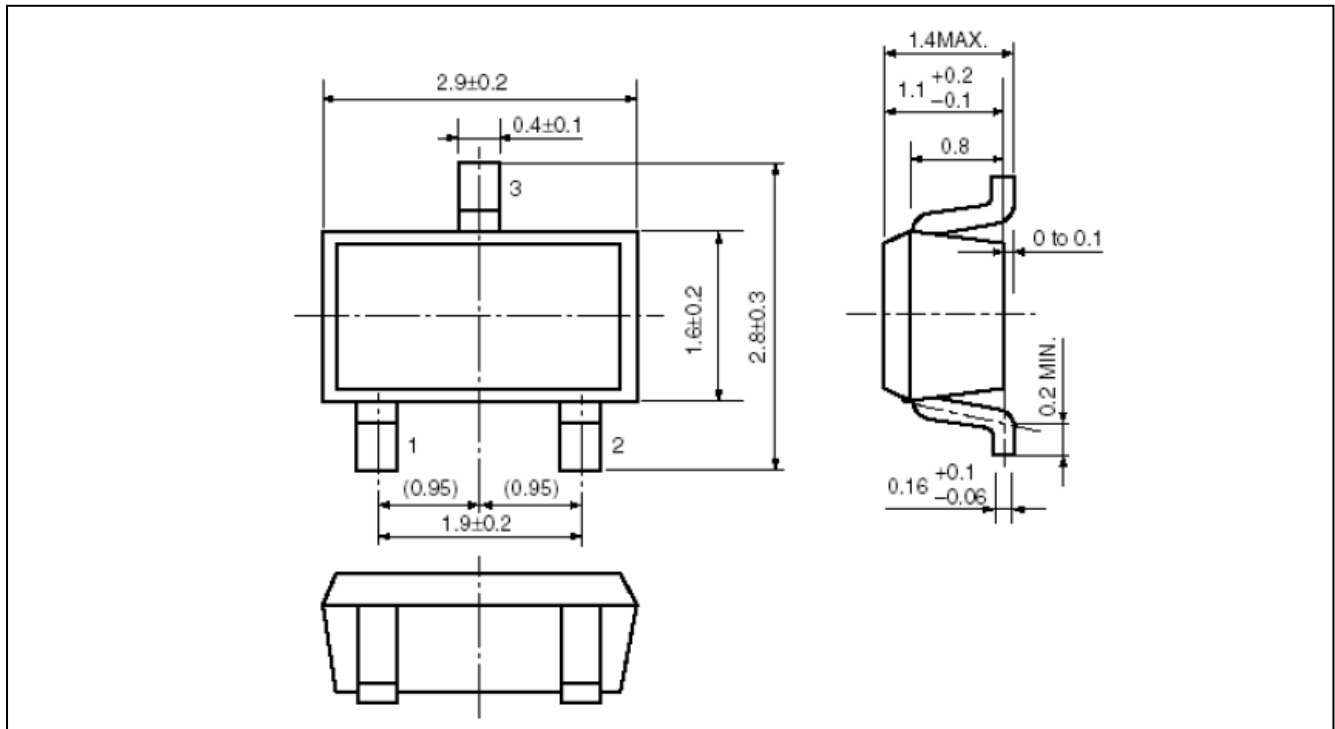
Low noise, fast response 500mA LDO regulator

Packing Information

SOT-23-5



SOT-23-3L



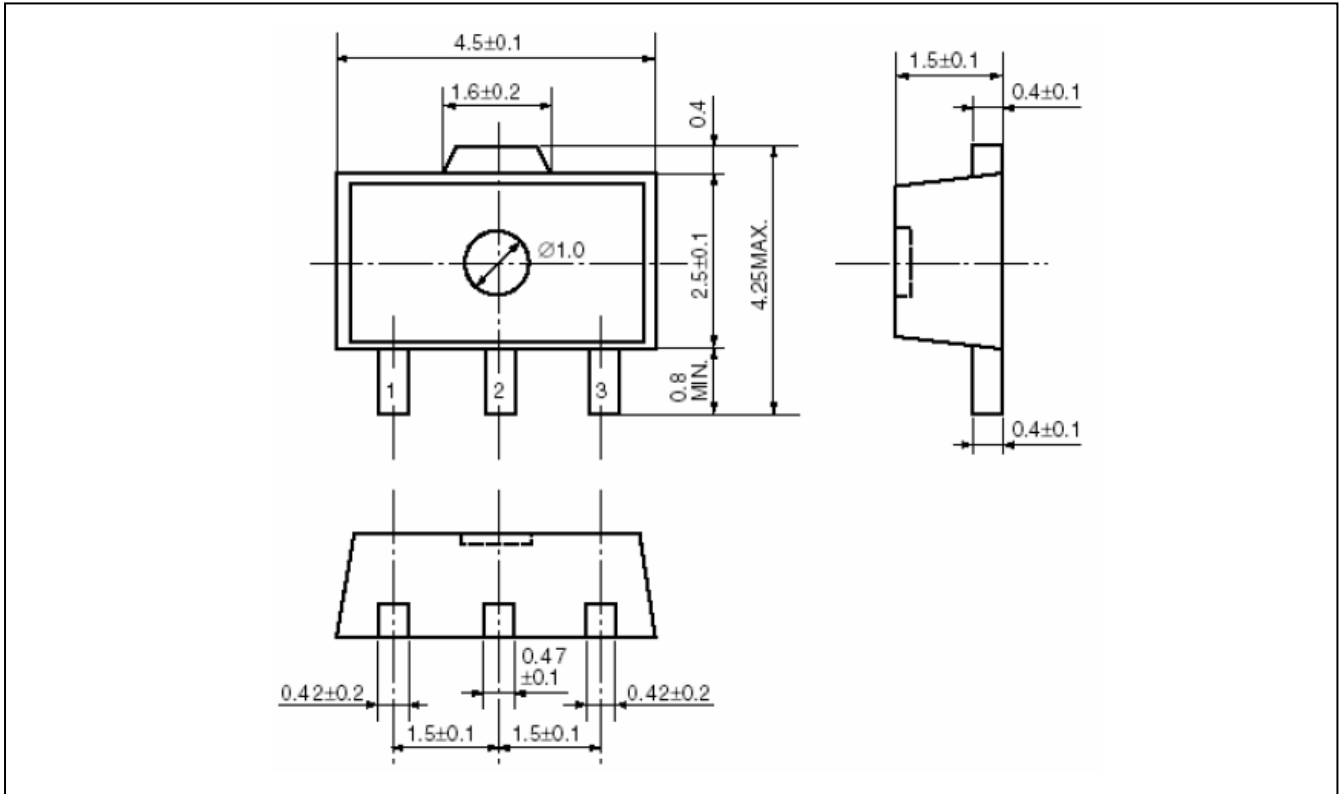


ACE509

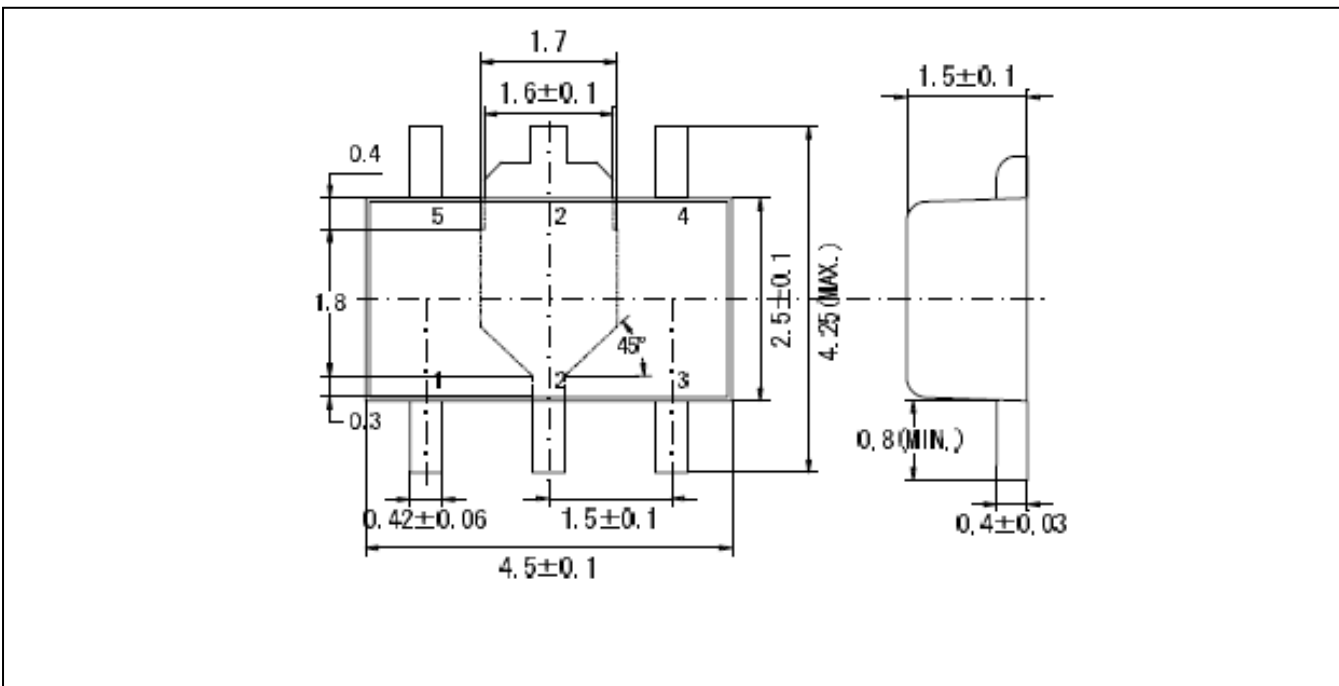
Low noise, fast response 500mA LDO regulator

Packing Information

SOT-89-3



SOT-89-5



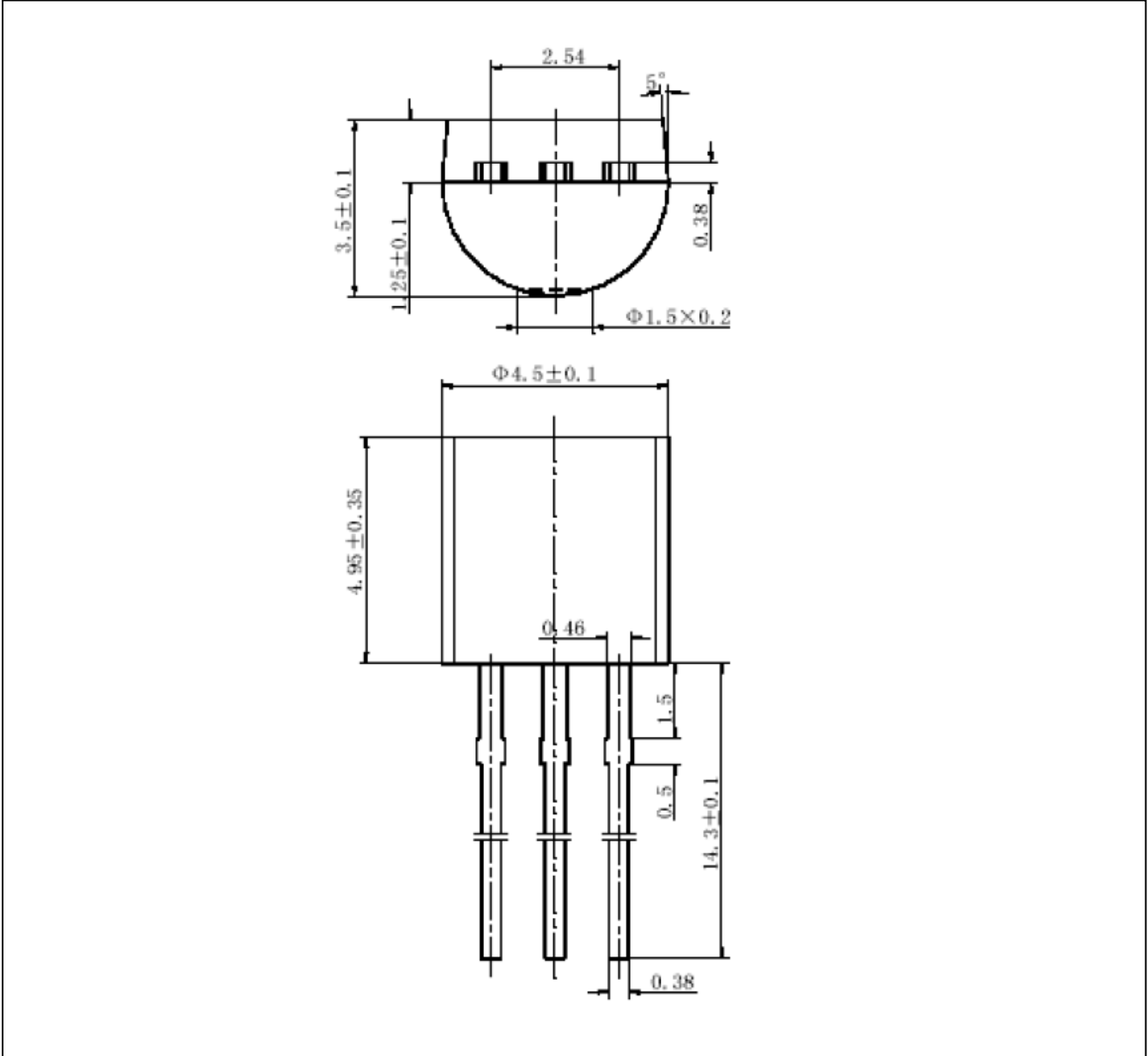


ACE509

Low noise, fast response 500mA LDO regulator

Packing Information

TO-92





ACE509

Low noise, fast response 500mA LDO regulator

Notes

ACE does not assume any responsibility for use as critical components in life support devices or systems without the express written approval of the president and general counsel of ACE Electronics Co., LTD.

As sued herein:

1. Life support devices or systems are devices or systems which, (a) are intended for surgical implant into the body, or (b) support or sustain life, and whose failure to perform when properly used in accordance with instructions for use provided in the labeling, can be reasonably expected to result in a significant injury to the user.
2. A critical component is any component of a life support device or system whose failure to perform can be reasonably expected to cause the failure of the life support device or system, or to affect its safety or effectiveness.

ACE Technology Co., LTD.
<http://www.ace-ele.com/>